



US00D634297S

(12) **United States Design Patent**  
**Akana et al.**

(10) **Patent No.:** **US D634,297 S**

(45) **Date of Patent:** **\*\* Mar. 15, 2011**

(54) **ELECTRONIC DEVICE**

273/148 B; D16/208; 348/207.1, 207.11,  
207.99, 208.15, 373-376

(75) Inventors: **Jody Akana**, San Francisco, CA (US);  
**Bartley K. Andre**, Menlo Park, CA  
(US); **Jeremy Bataillou**, San Francisco,  
CA (US); **Daniel J. Coster**, San  
Francisco, CA (US); **Daniele De Iuliis**,  
San Francisco, CA (US); **Evans**  
**Hankey**, San Francisco, CA (US);  
**Richard P. Howarth**, San Francisco, CA  
(US); **Jonathan P. Ive**, San Francisco,  
CA (US); **Duncan Robert Kerr**, San  
Francisco, CA (US); **Shin Nishibori**,  
Portola Valley, CA (US); **Matthew Dean**  
**Rohrbach**, San Francisco, CA (US);  
**Peter Russell-Clarke**, San Francisco,  
CA (US); **Christopher J. Stringer**,  
Woodside, CA (US); **Eugene Antony**  
**Whang**, San Francisco, CA (US); **Rico**  
**Zorkendorfer**, San Francisco, CA (US)

See application file for complete search history.

(56) **References Cited**

U.S. PATENT DOCUMENTS

2,953,625	A *	9/1960	Hasselhorn	174/60
6,122,526	A *	9/2000	Parulski et al.	455/556.1
6,558,835	B1 *	5/2003	Kurisu et al.	429/159
D481,684	S *	11/2003	Bomar	D13/154
D486,469	S *	2/2004	Morita	D14/168
D499,383	S *	12/2004	Bomar	D13/154
D510,584	S	10/2005	Tierney	
D516,579	S *	3/2006	Nakamura	D14/496
7,013,164	B2 *	3/2006	Lin	455/557
D520,519	S *	5/2006	Chin et al.	D14/203.3
D556,196	S *	11/2007	Cheng	D14/356
D611,465	S *	3/2010	Corley et al.	D14/248

\* cited by examiner

*Primary Examiner* — Prabhakar Deshmukh

(74) *Attorney, Agent, or Firm* — Sterne, Kessler, Goldstein  
& Fox PLLC

(57) **CLAIM**

The ornamental design for an electronic device, as shown and described.

**DESCRIPTION**

FIG. 1 is a bottom front perspective view of an electronic device showing our new design; FIG. 2 is a bottom rear perspective view thereof; FIG. 3 is front view thereof; FIG. 4 is rear view thereof; FIG. 5 is a top plan view thereof; FIG. 6 is a left side view thereof; FIG. 7 is a right side view thereof; FIG. 8 is bottom plan view thereof; FIG. 9 is a top rear perspective view thereof; and, FIG. 10 is a top front perspective view thereof. The broken lines in the Figures show portions of the electronic device which form no part of the claimed design.

**1 Claim, 5 Drawing Sheets**

(73) Assignee: **Apple Inc.**, Cupertino, CA (US)

(\*\*) Term: **14 Years**

(21) Appl. No.: **29/366,863**

(22) Filed: **Jul. 30, 2010**

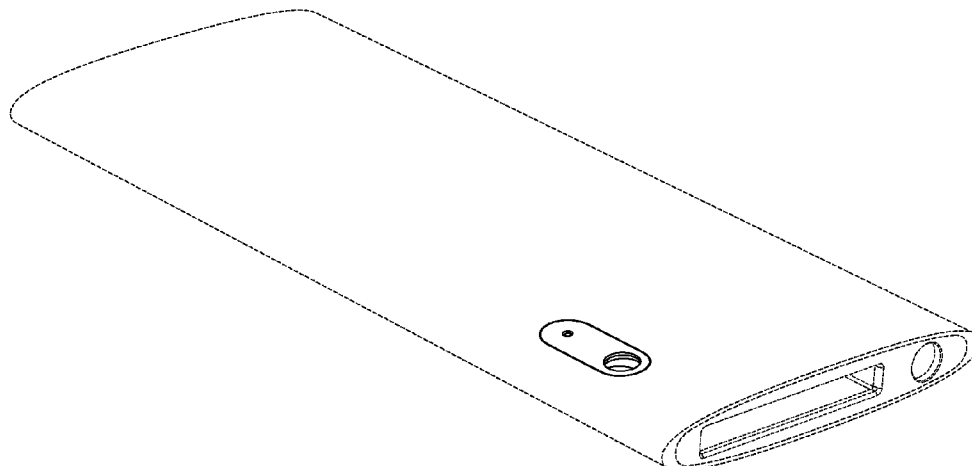
**Related U.S. Application Data**

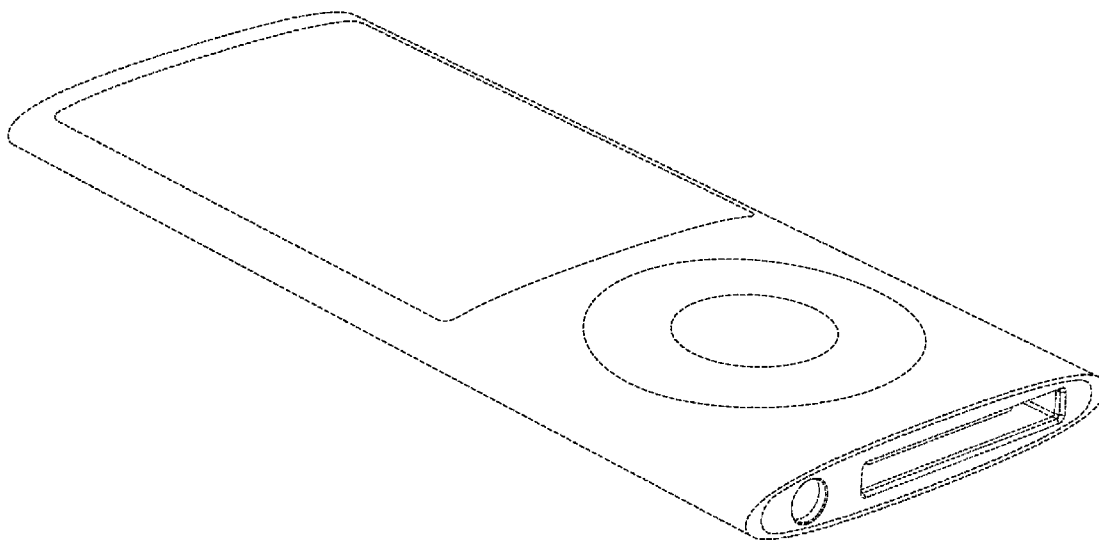
(62) Division of application No. 29/343,062, filed on Sep. 4, 2009, now Pat. No. Des. 622,696.

(51) **LOC (9) Cl.** ..... **14-03**

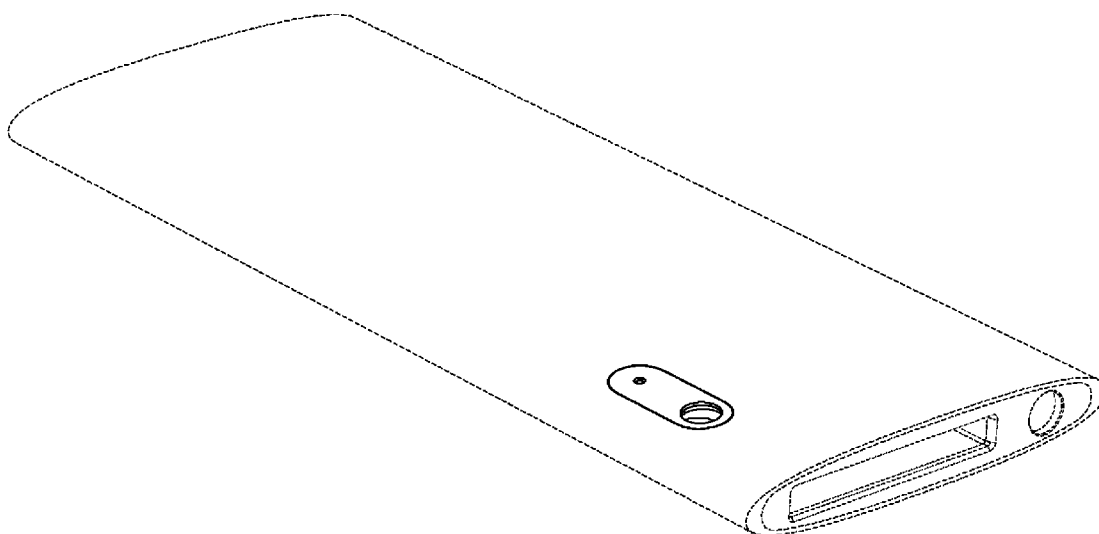
(52) **U.S. Cl.** ..... **D14/203.1**; D14/496

(58) **Field of Classification Search** ..... D14/496,  
D14/401, 435, 474, 483, 217, 137, 138, 160,  
D14/168, 356, 203.1-203.8, 507, 144; 345/156,  
345/169, 173-179, 905; 715/727-729, 864;  
710/1, 5, 8; 713/1, 600; 455/1.1, 1.7, 73,  
455/344-347, 93, 95, 3.01-3.06, 550.1, 573.1;  
370/342-344; 369/1, 2, 6-12; 463/43-47;

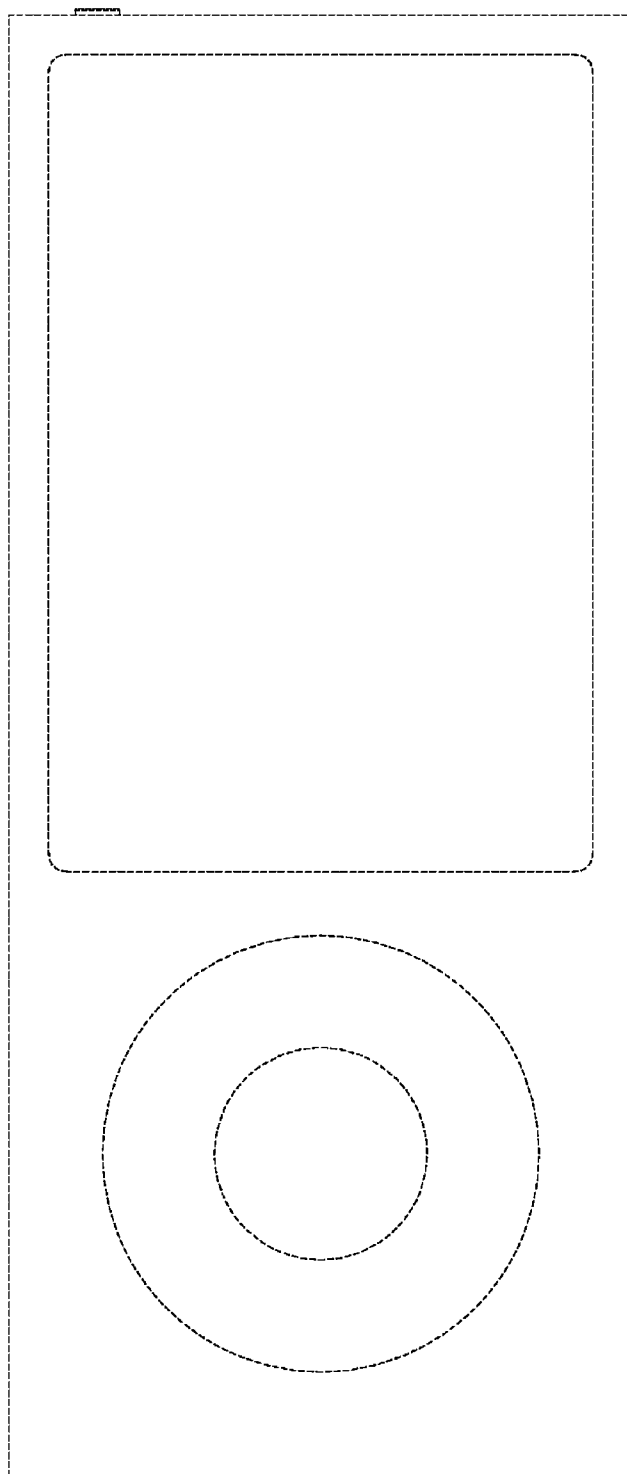




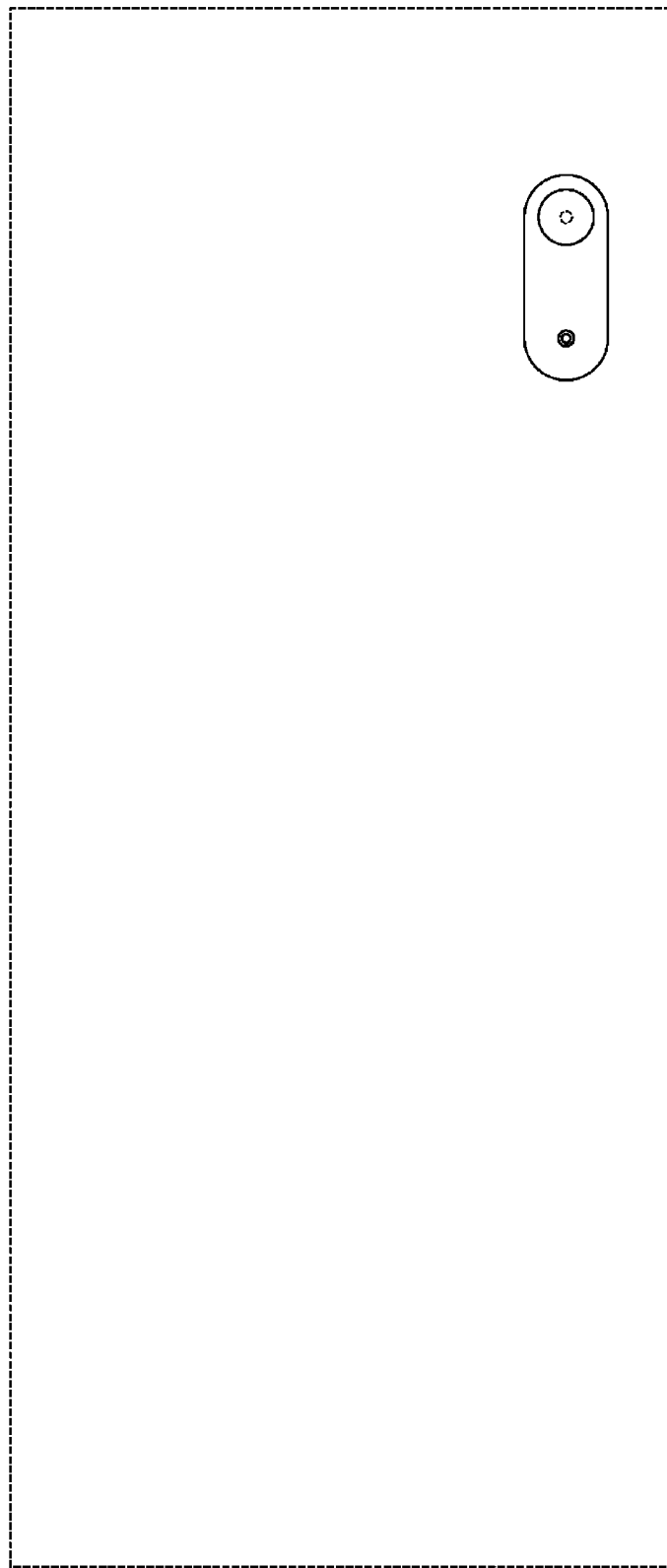
**FIG. 1**



**FIG. 2**



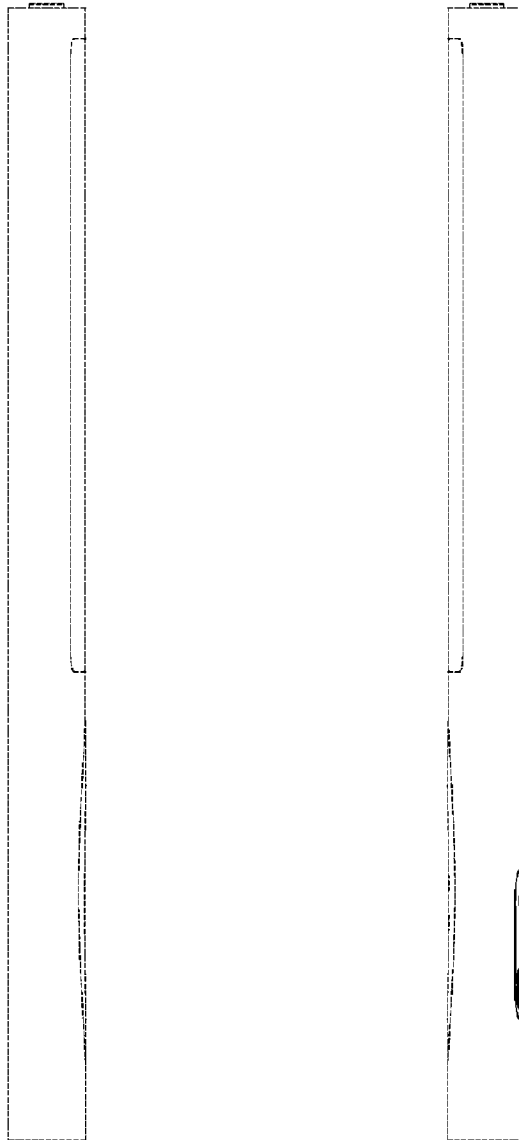
**FIG. 3**



**FIG. 4**



**FIG. 5**

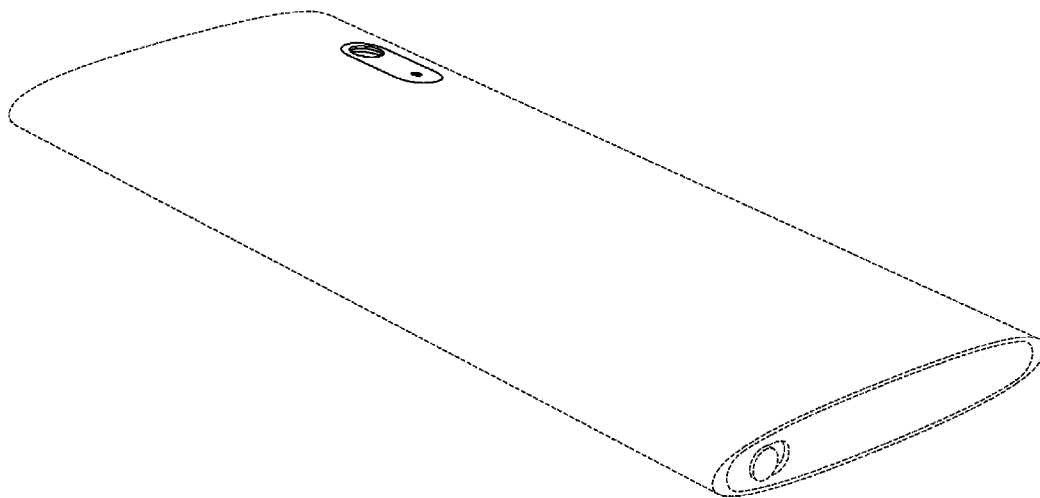


**FIG. 6**

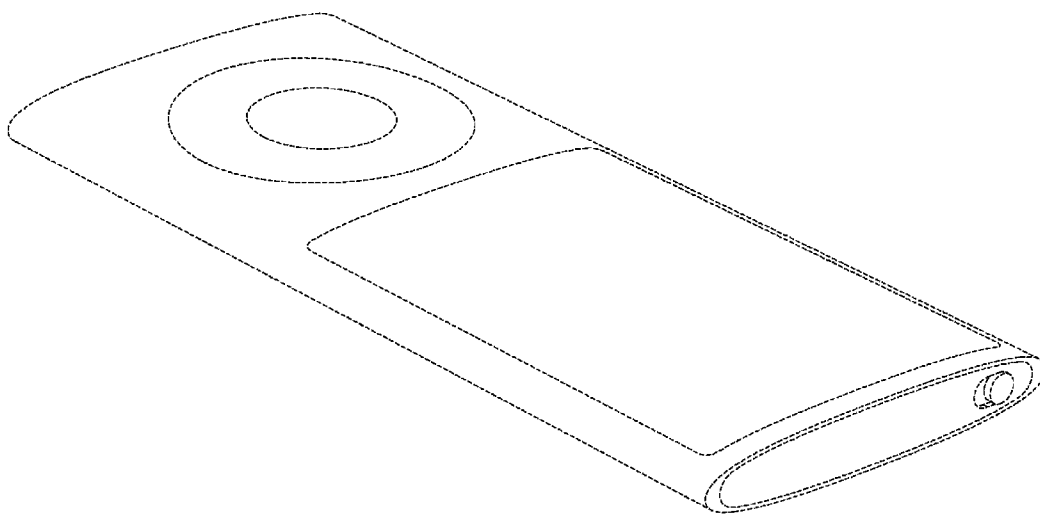
**FIG. 7**



**FIG. 8**



**FIG. 9**



**FIG. 10**